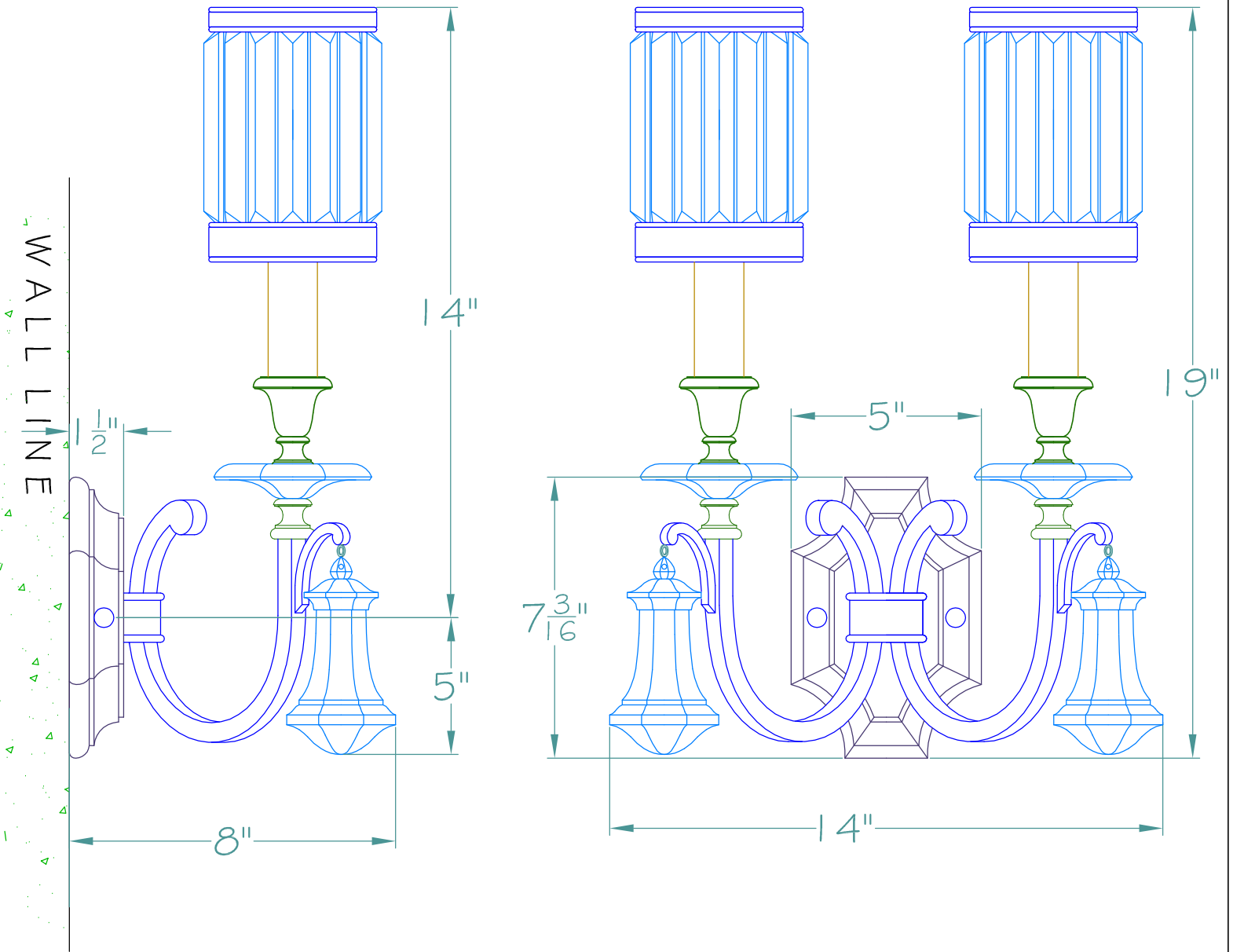


CUSTOMER REFERENCE INSTRUCTIONS

REV.	ECN # IF APPLIC.	REVISION DESCRIPTION	REQD. BY	DRAFTER	DATE
A	NA	ORIGINAL RELEASED VERSION	NA	HB	2/15/06
B	N/A	UPDATED	N/A	RB	02/08/08



FINE ART LAMPS

5770-5772 Miami Lakes Dr. East
Miami Lakes, FL 33014
Ph: (305) 821-3850 FAX: (305) 821-1564

This drawing and specifications are the exclusive property of BLUMBERG INDUSTRIES, INC. issued in strict confidence and shall not, without the prior written permission of BLUMBERG INDUSTRIES, INC., be produced, copied or used for any purpose whatsoever except the manufacture articles for FINE ART LAMPS.

STYLE NUMBER: 583050st

PART NUMBER:

DRAFTER: RB

REV. B

DATE: 02/08/08

STYLE ENG: MC

SHEET: 1 / 1