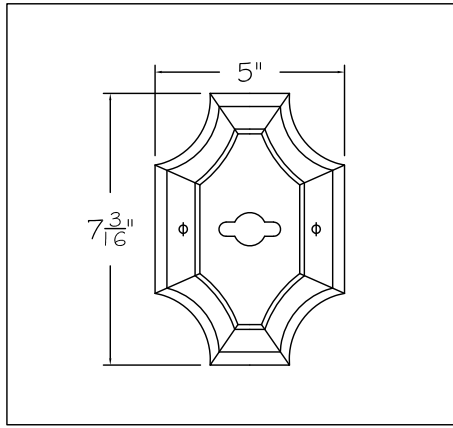
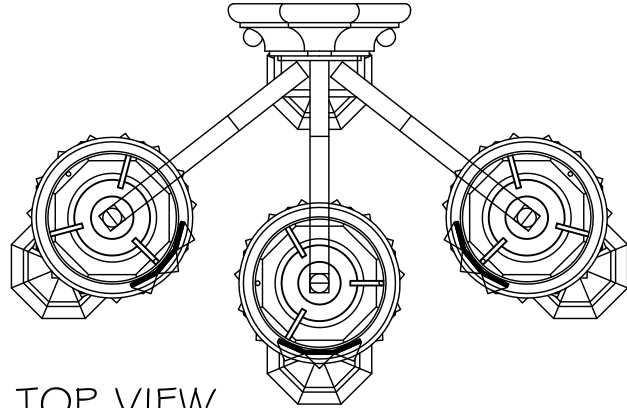


# CUSTOMER REFERENCE DRAWING

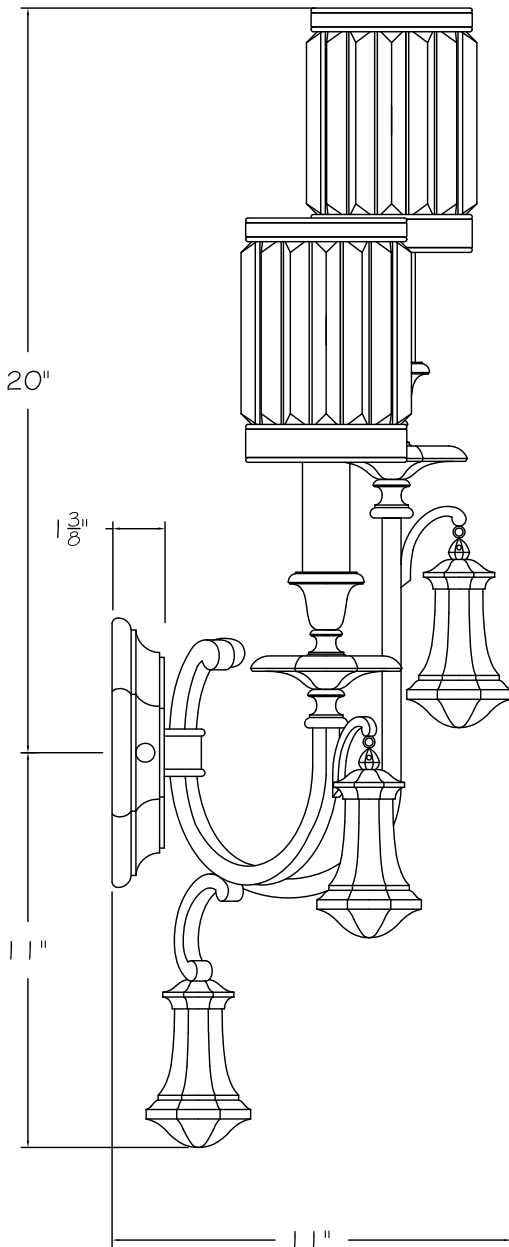
REV.	ECN # IF APPLIC.	REVISION DESCRIPTION	REQD. BY	DRAFTER	DATE
1	NA	ORIGINAL RELEASED VERSION	NA	HB	2/15/06
2		ADDED TOP VIEW	CUST.	AC	6/17/14



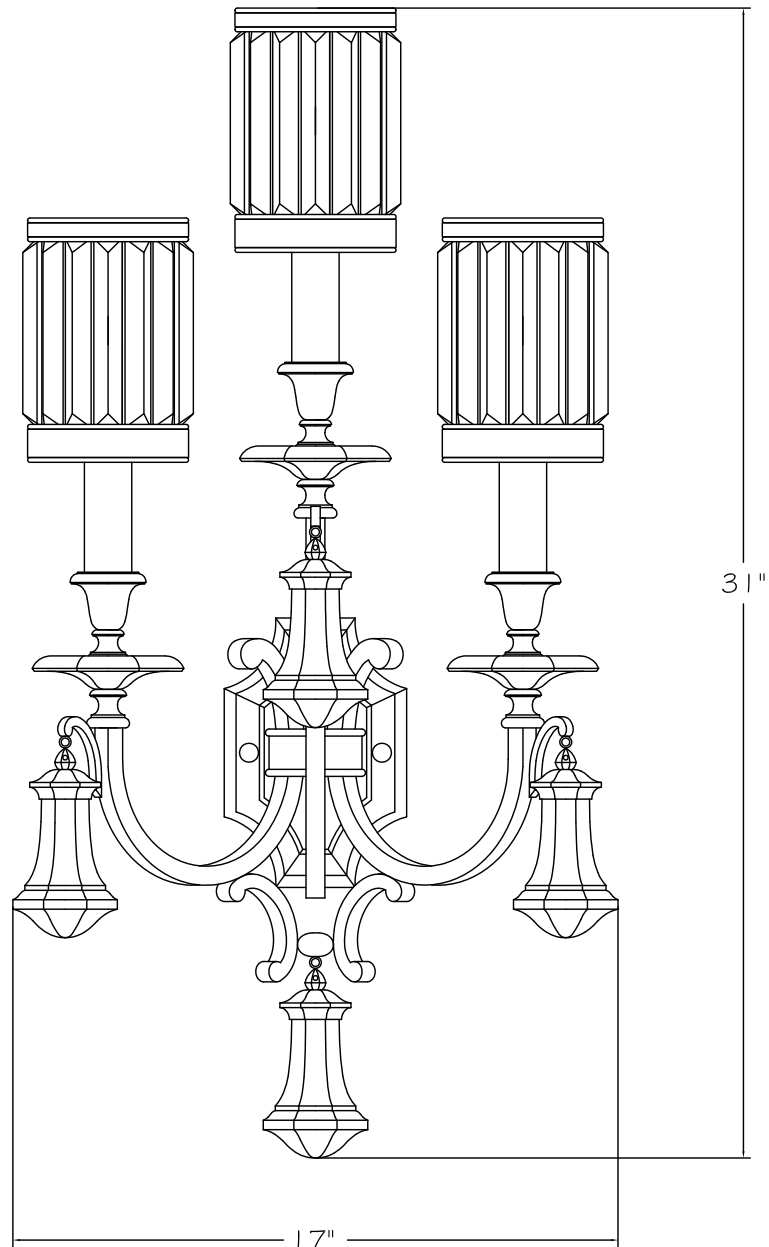
BACK PLATE



TOP VIEW



SIDE VIEW



FRONT VIEW

**FINE ART LAMPS**

5770-5772 Miami Lakes Dr. East  
Miami Lakes, FL 33014  
Ph: (305) 821-3850 FAX: (305) 821-1564

This drawing and specifications are the exclusive property of BLUMBERG INDUSTRIES, INC. issued in strict confidence and shall not, without the prior written permission of BLUMBERG INDUSTRIES, INC., be produced, copied or used for any purpose whatsoever except the manufacture articles for FINE ART LAMPS.

STYLE NUMBER: 583150

PART NUMBER:

DRAFTER: HB

REV. 2

DATE: 6/17/14

STYLE ENG: MC

SHEET: 1 / 1