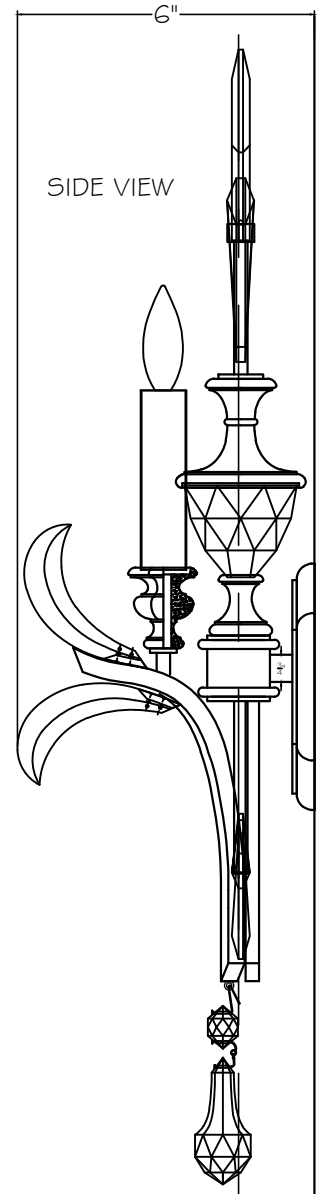
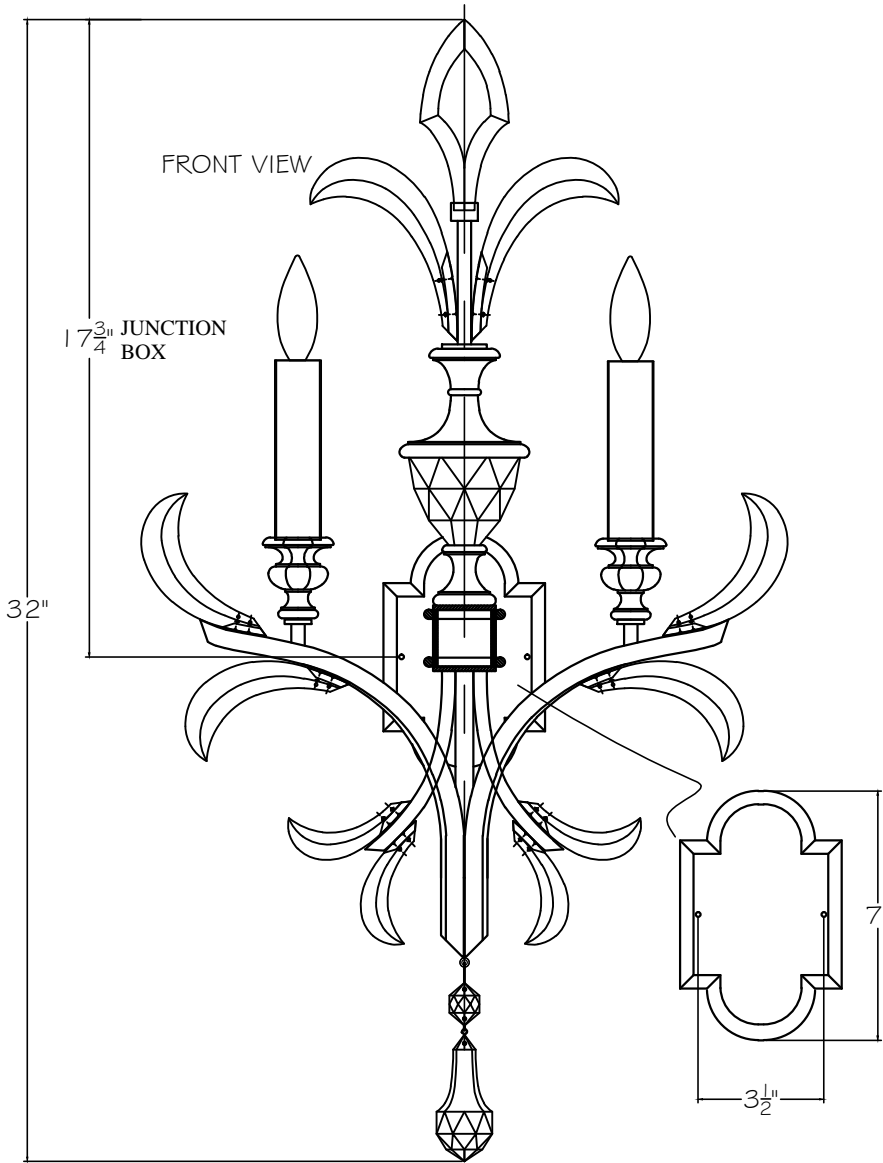
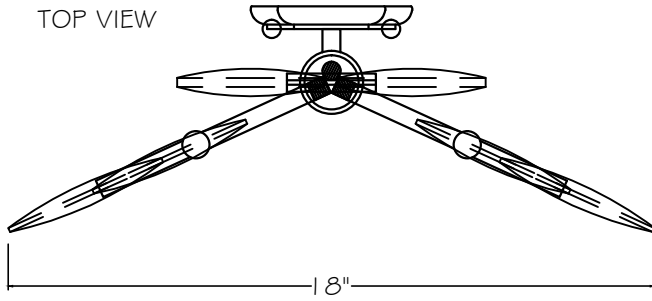


CUSTOMER REFERENCE DRAWING



STYLE CONFIGURATIONS:

-ST SILVER

760750 GOLD

-SF4 SILVER

-SF3 GOLD



This drawing, specifications and the product depicted are the exclusive property of Fine Art Handcrafted Lighting®. In compliance with US copyright and patent requirements, notice is hereby given that this document and the product depicted shall not be copied, altered or used in any manner without the expressed written consent of Fine Art Handcrafted Lighting®.

www.finearthl.com

Tel:(305) 821-3850
FINE ART LAMPS®

Fax:(305) 513-5736

STYLE NUMBER:

704850

DATE:

4/17/2020

CRYSTAL LOCATION

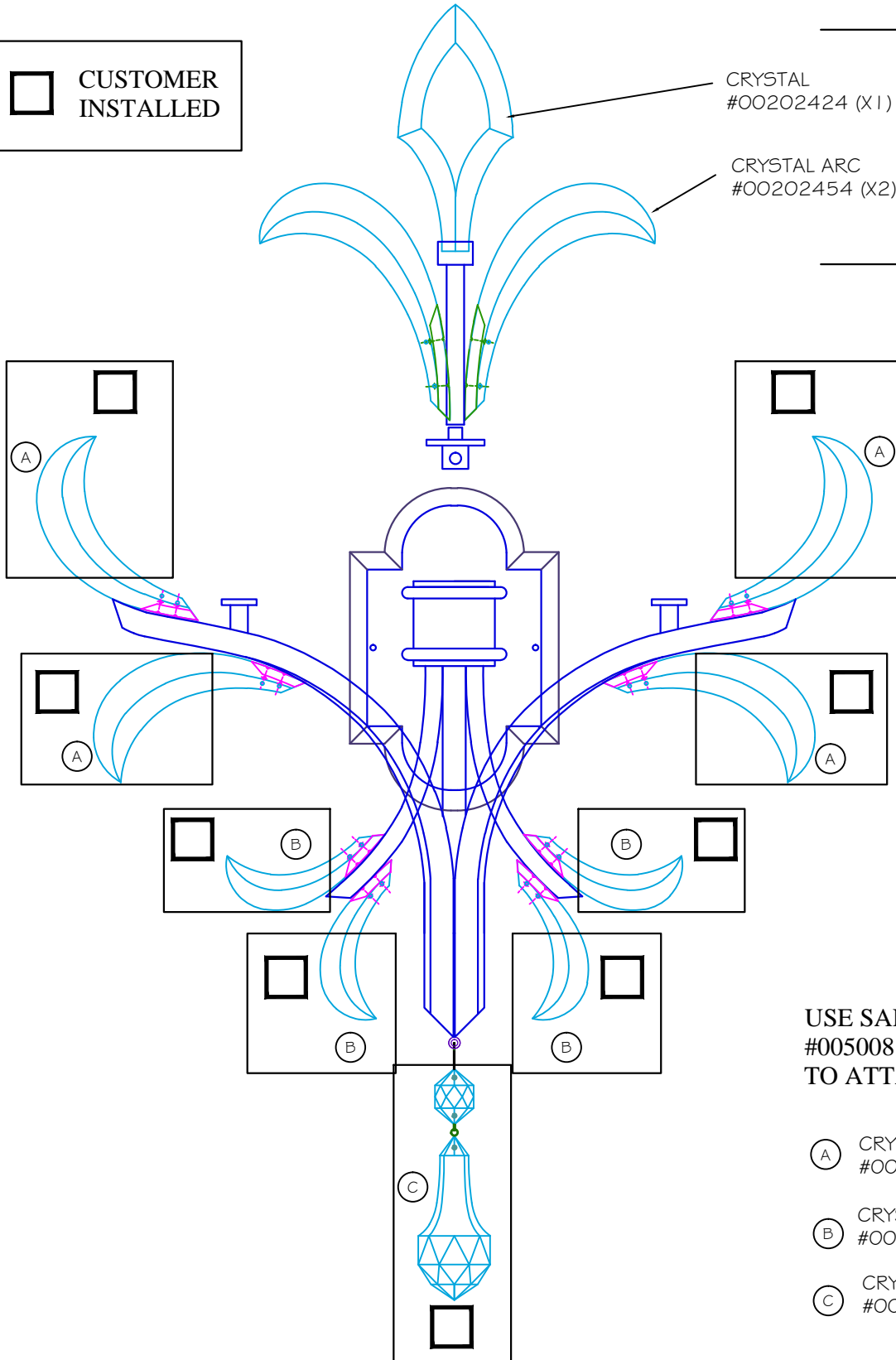
REV.	ECN # IF APPLIC.	REVISION DESCRIPTION	REQD. BY	DRAFTER	DATE
A	NA	ORIGINAL RELEASED VERSION	NA	NS	1/16/07
B	N/A	ADD NOTES	AC	RB	02/29/08

CUSTOMER
INSTALLED

CRYSTAL
#00202424 (X1)

CRYSTAL ARC
#00202454 (X2)

SHIP AS ONE
PIECE INSIDE A BOX



USE SAFETY WIRE
#00500816
TO ATTACH CRYSTAL

(A) CRYSTAL ARC (4)
#00202443

(B) CRYSTAL ARC (4)
#00202437

(C) CRYSTAL PENDANT
#00202423

Fine Art
L A M P S

This drawing and specifications are the exclusive property of BLUMBERG INDUSTRIES, INC. issued in strict confidence and shall not, without the prior written permission of BLUMBERG INDUSTRIES, INC., be produced, copied or used for any purpose whatsoever except the manufacture articles for FINE ART LAMPS.

5770-5772 Miami Lakes Dr. East / Miami Lakes, FL 33014
Ph: (305) 821-3850 FAX: (305) 821-1564

STYLE NUMBER: 704850ST

PART NUMBER: #00790557

ASSY. INSTRUCTION TEMPLATE

DRAFTER: RB

STYLE ENGINEER: JAR

DATE: 02/29/08

REVISION: B

SHEET: /