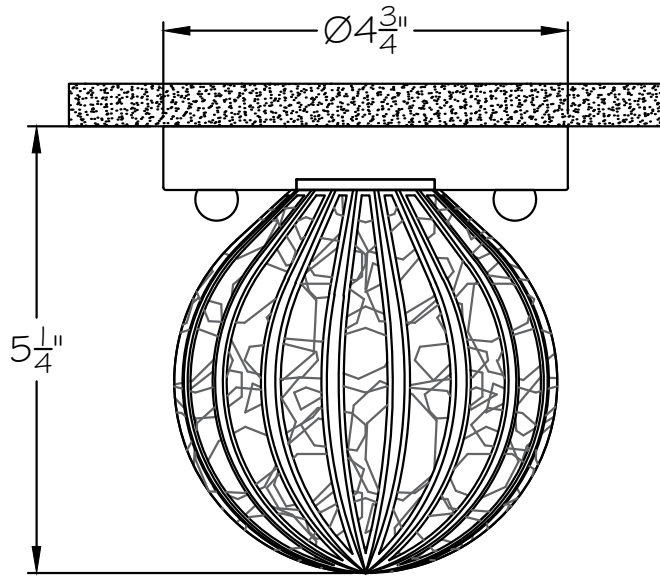
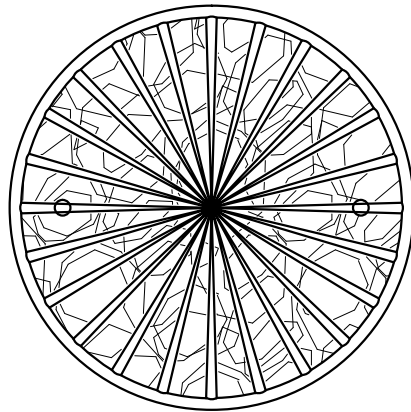


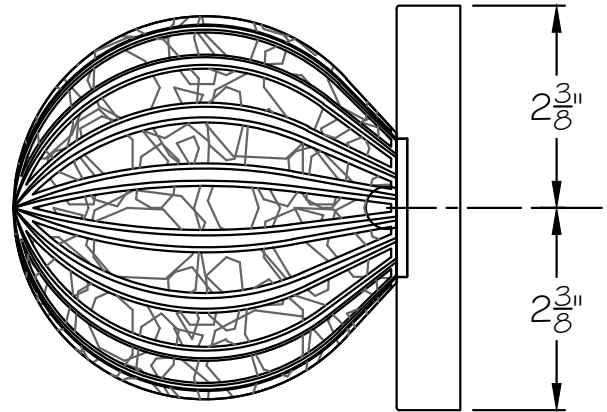
CUSTOMER REFERENCE DRAWING



TOP VIEW



FRONT VIEW



STYLE CONFIGURATIONS:

911650-1AM SILVER/AMETHYST GLASS	911650-1AB SILVER/AMBER GLASS	911650-1WH SILVER/WHITE GLASS	911650-1CO SILVER/COBALT GLASS	911650-1AQ SILVER/AQ.MARINE GLASS	911650-1CL SILVER/CLEAR GLASS
911650-1FG SILVER/FOREST GREEN GLASS	911650-1SQ SILVER/SMOKEY QUARTZ GL	911650-2AM GOLD/AMETHYST GLASS	911650-2AB GOLD/AMBER GLASS	911650-2WH GOLD/WHITE GLASS	911650-2CO GOLD/COBALT GLASS
911650-2AQ GOLD/AQUAMARINE GLASS	911650-2CL GOLD/CLEAR GLASS	911650-2FG GOLD/FOREST GREEN GLASS	911650-2SQ GOLD/SMOKEY QUARTZ GL		



This drawing, specifications and the product depicted are the exclusive property of FINE ART LAMPS®. In compliance with US copyright and patent requirements, notice is hereby given that this document and the product depicted shall not be copied, altered or used in any manner without the expressed written consent of FINE ART LAMPS®.
www.fineartlamps.com
 Tel:(305) 821-3850 Fax:(305) 821-1564

STYLE NUMBER:
911650
 DATE:
1/16/20